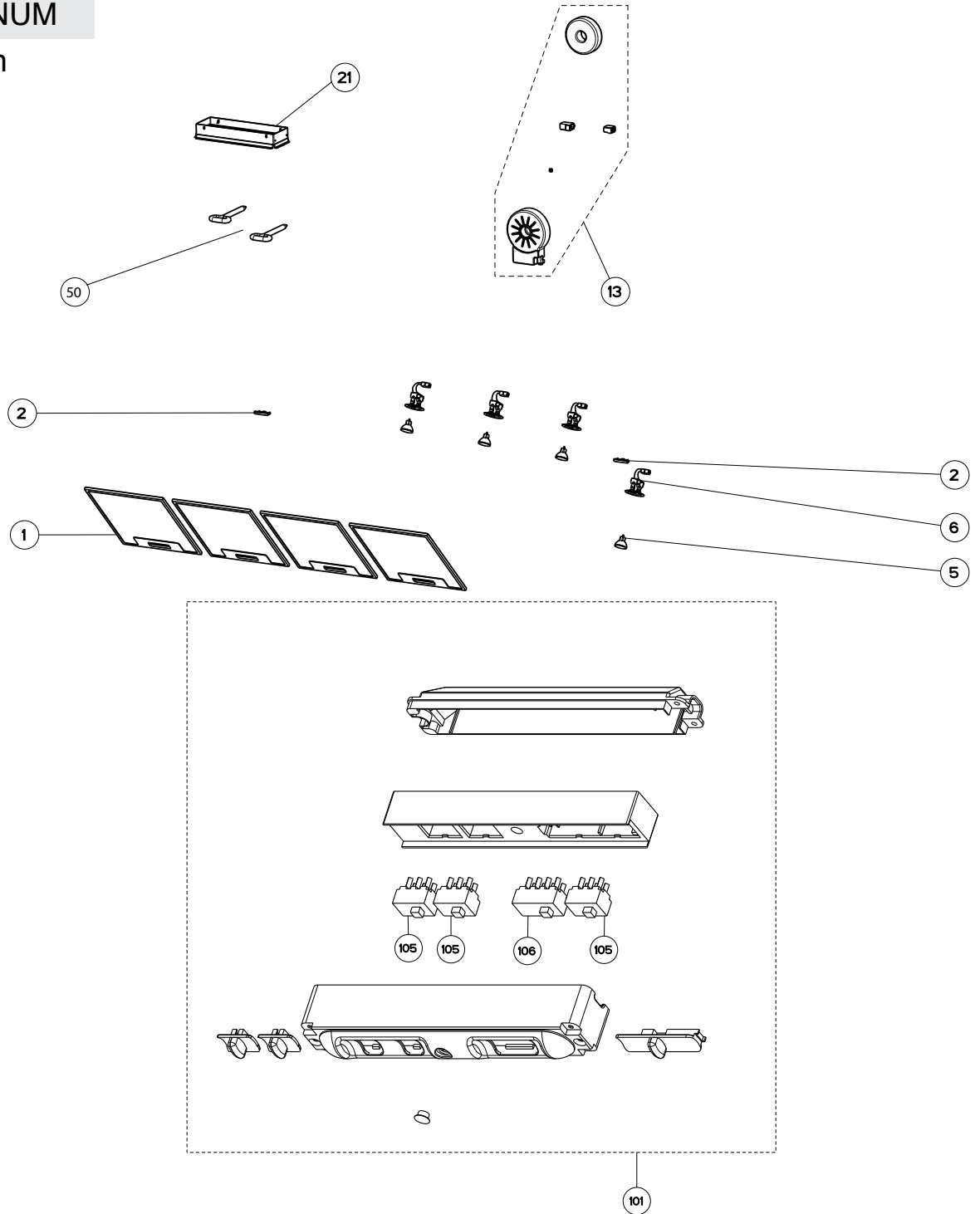


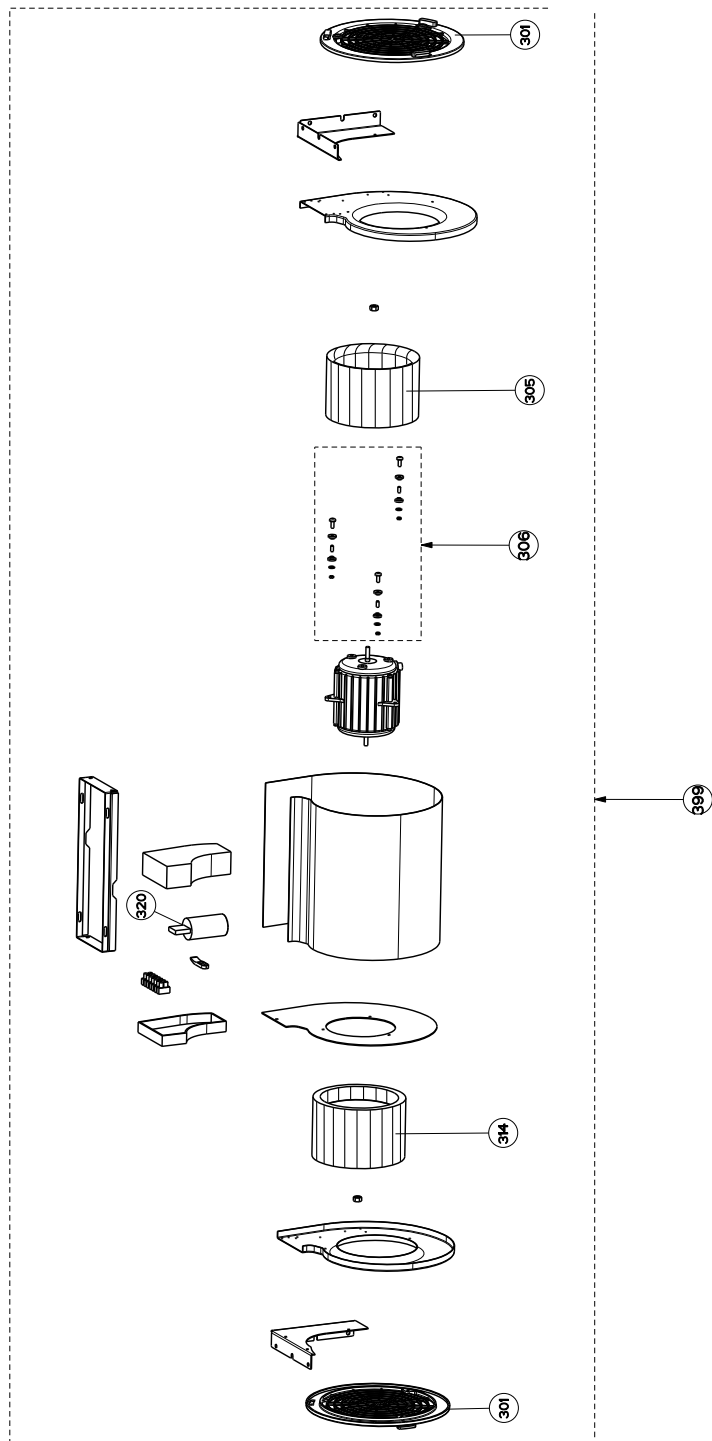
PRO MAGNUM

body / switch components



	Model Number	6059890	6059891	6059892	
Key	Description	30 Stainless	36 Stainless	48 Stainless	Qty Req.
1	Grease Filter	133.0018.482	133.0018.482	133.0018.482	2=30", 3=36", 4=48"
2	Trim Piece	133.0068.184	133.0068.184	133.0068.184	2
5	Halogen Lamp	133.0046.418	133.0046.418	133.0046.418	3 = 30,36", 4 = 48"
6	Lampholder	133.0065.409	133.0065.409	133.0065.409	3=30",36" / 4=48"
13	Transformer Kit	133.0052.578	133.0052.578	133.0052.578	1
21	Damper	133.0068.606	133.0068.606	133.0068.606	1=30",36" , 2=48"
50	Mounting Kit Pro Magnum	133.0084.486	133.0084.486	133.0084.486	1=30",36" , 2=48"
101	Switchboard Kit	133.0062.128	133.0062.128	133.0062.128	1
105	On / Off Switch	133.0054.536	133.0054.536	133.0054.536	3
106	Motor Speed Switch	133.0054.538	133.0054.538	133.0054.538	1

PRO MAGNUM
motor components



	Model Number	6059890	6059891	6059892	
Key	Description	30 Stainless	36 Stainless	48 Stainless	Qty Req.
301	Charcoal filter support	133.0068.613	133.0068.613	133.0068.613	1=30",36" , 2=48"
305	Right Impeller	133.0052.879	133.0052.879	133.0052.879	1=30",36" , 2=48"
306	Motor Rubber Kit	133.0068.614	133.0068.614	133.0068.614	1=30",36" , 2=48"
314	Left Impeller	133.0052.890	133.0052.890	133.0052.890	1=30",36" , 2=48"
320	Capacitor	133.0068.611	133.0068.611	133.0068.611	1=30",36" , 2=48"
399	Motor Group Kit	133.0068.616	133.0068.616	133.0068.615	1=30",36" , 2=48"